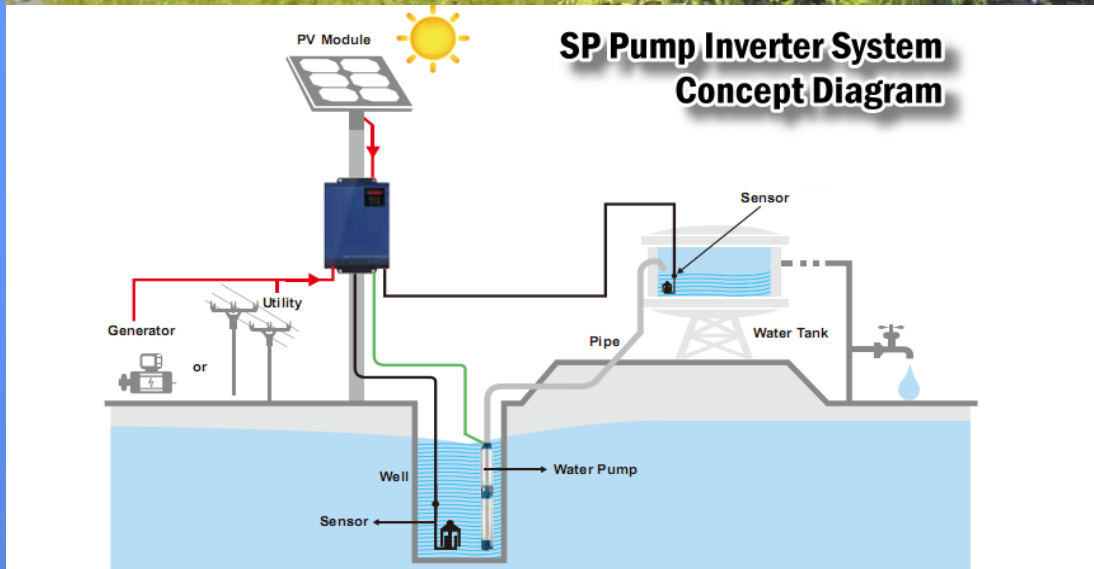


SP INVERTER SERIES

Solar Pump Inverter



SP Pump Inverter System Concept Diagram

MAIN FEATURES

- Battery-less design **Single/3-phase SOLAR pump inverter (run from Solar or AC)**
- Built in MPPT solar charger
- High PV Input Voc **800V!**
- **2.2KW, 7.5KW, or 11KW models to choose**
- **Compatible with IEC standard 3-phase asynchronous motor**
- **Peak 97% efficiency!**
- **50Hz or 60Hz supported (programmable)**
- **Alternative AC Input — compatible with utility or generator**
- **Auto-restart feature after PV reconnect or AC return**
- **Automatic derating at high temperature**
- **Soft start feature available**
- **Full feature system protection**
- **RS232 / RS485 monitoring feature**
- **Large LCD / LED display**
- **(optional) Monitoring of water tank level through input dry contact signal**

SP Solar Pump Inverter	SP-2.2K LS	SP-2.2K	SP-7.5K	SP-11K
INPUT POWER				
Max PV array	3500W(3-Phase) 5500W(Single Phase)	3,500W	12,000W	17,600W
Max PV Input Voc	450VDC		800VDC	
MPPT Range	120~420VDC		250 - 780VDC	
Startup Voltage	120VDC		250VDC	
Recommend PV input voltage	>330V(for 220v)	>560v@380v, >585v@400v, >606v@415v, >642v@440v		
(Optional) AC Input Power	4,000VA	4,000VA	11,000VA	16,500VA
(Optional) AC Input Voltage	220,230,240VAC (1-Phase) 380,400,415,440VAC (3-phase)		380, 400, 415, 440VAC (3-phase)	
(Optional) AC Input Max Current	18.18A	5.8A	20.5A	27A
OUTPUT POWER				
Power Phase	Single or 3 Phase		3 Phase only	
Output Voltage	220,230,240VAC (1-Phase) 380,400,415,440VAC (3-phase)		380, 400, 415, 440VAC (3 phase)	
Max Output Power	2200W	2,200W	7,500W	11,000W
Water pump power support	0.75~3 HP	0.75~3 HP	3~10 HP	10~15 HP
Peak Efficiency		97%		
Max Output Current	14A (1-Phase), 10A (3-Phase)	5A	15A	22A
Motor Type	Single /3 Phase asynchronous motor		3-Phase asynchronous motor	
Output Frequency		50Hz / 60Hz, adjustable		
ENVIRONMENTAL / MECHANICAL SPECIFICATIONS				
Protections	Over/Under-Voltage, Over Current, Over Temp, Short Circuit, Surge			
Communication	RS-232, RS-485			
Operating Temp.	-20°C~ 45°C (100% load, power derate >45°C)			
Operating Humidity	0~95%RH Non-Condensing			
Dimension	110*230*330mm			
Weight/Packing	5.0kg	5.5kg	6Kg	6.5kg

MPP Solar Inc. reserves the right to change product specification without notice. MPP Solar is a registered trademark.

